

ROOF PERMIT GUIDELINES

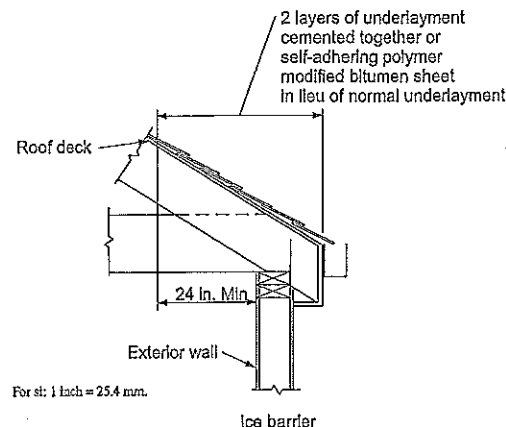
The following requirements for the installation of roof coverings are based on the 2009 Michigan Building Code and the 2009 Michigan Residential Codes.

This form must be filled out and submitted along with the building permit application before any roof permit will be issued. Any roof job started before the permit, barring special circumstances, is subject to fines and a bond deposit. **Pictures of each side of the roof that clearly indicate the condition of the deck surface is adequate, that ice shield and underlayment have been applied to the roof where applicable and that proper flashing has been installed must be submitted to obtain a final inspection and the return of your bond deposit.** The number of pictures will vary per job but one can expect to submit not less than 6-8 pictures. The pictures become a part of the building file and can be submitted through email, however, the printing cost of .50 per copy will be deducted from the bond deposit.

In the space below, describe briefly the scope of the project or submit a copy of the contract:

- 1.) Type of roof being applied (check one): Asphalt _____ Metal _____ Wood Shake _____ Built-up _____
_____ Other (Explain) _____
- 2.) Roof Pitch _____ 3.) Complete Tear-off _____ or Second Roof _____ (2 max)
- 4.) Ice Shield _____ 5.) Overhang Width _____

Note! Ice shield must extend 24" minimum inside the exterior wall line. A home with 16" overhangs will need two applications of ice shield extending up the roof to meet this code requirement, thus the pictures supplied should indicated this requirement has been met.



Asphalt shingles cannot be used on slopes less than 2:12 pitch. Also, roof slopes of 2:12 to 4:12 will require a double underlayment application. Finally, all roof applications are to meet the requirements of Chapter 9 of the 2009 Michigan Residential Code or Chapter 15 of the 2009 Michigan Building Code, whichever is applicable.

I have read the above document and will abide by all codes noted above

(signed) _____ (print name) _____